

# Datasheet

## Lithium Ion Battery 167-0120200C

### Lithium Iron Phosphate

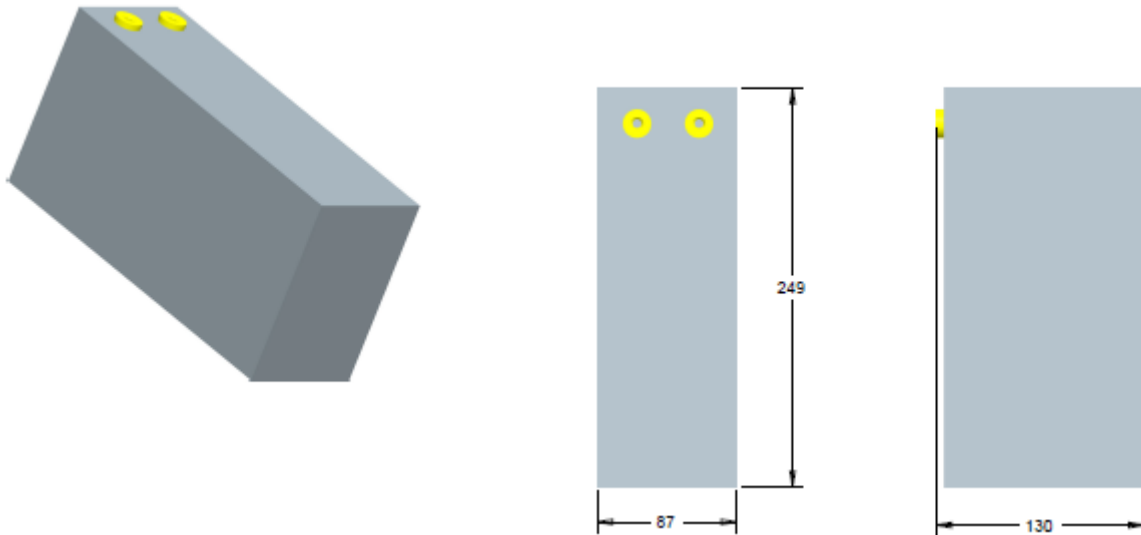
### 12 V / 20 Ah Battery for General Cyclic Purpose

**General:**

Configuration of Cells:	4s7p
Nominal Voltage:	$V_N = 12.8 \text{ V}$
Nominal Capacity (1 hour rate):	$C_1 = 20 \text{ Ah}$
Nominal Energy:	$E_N = 256 \text{ Wh}$
Maximum Discharge Current:	20 A
Maximum Peak Discharge Current:	40 A
Discharge Cut Off Voltage:	10 V
Charging Voltage:	16 V
Maximum Charging Current:	10 A
Charging Regime:	CV (Constant Voltage)
Operational System:	BOCS (Battery Operation and Control System)
Operating Temperature:	Discharge: $-20^\circ \text{ C} - +50^\circ \text{ C}$ Charge: $-10^\circ \text{ C} - +50^\circ \text{ C}$

**Materials, Dimensions and Weight:**

Length:	249 mm
Width:	87 mm
Height incl. Terminals:	130 mm
Weight:	$m = 3.4 \text{ kg}$
Casing:	Polystyrene, UL 94-V0, IP 41
Terminal:	Female M6, Brass or customer specific connector
Torque:	8 Nm

**Mechanical:****LED-Signals:**

Pressing the reset button would activate the LED's for 5 sec.

Only red LED on: Battery is empty; please connect a charger!

1 green LED on:  $\text{SOC} \geq 25\%$   
2 green LED on:  $25\% < \text{SOC} \leq 50\%$   
3 green LED on:  $50\% < \text{SOC} \leq 75\%$   
4 green LED on:  $75\% < \text{SOC} \leq 100\%$